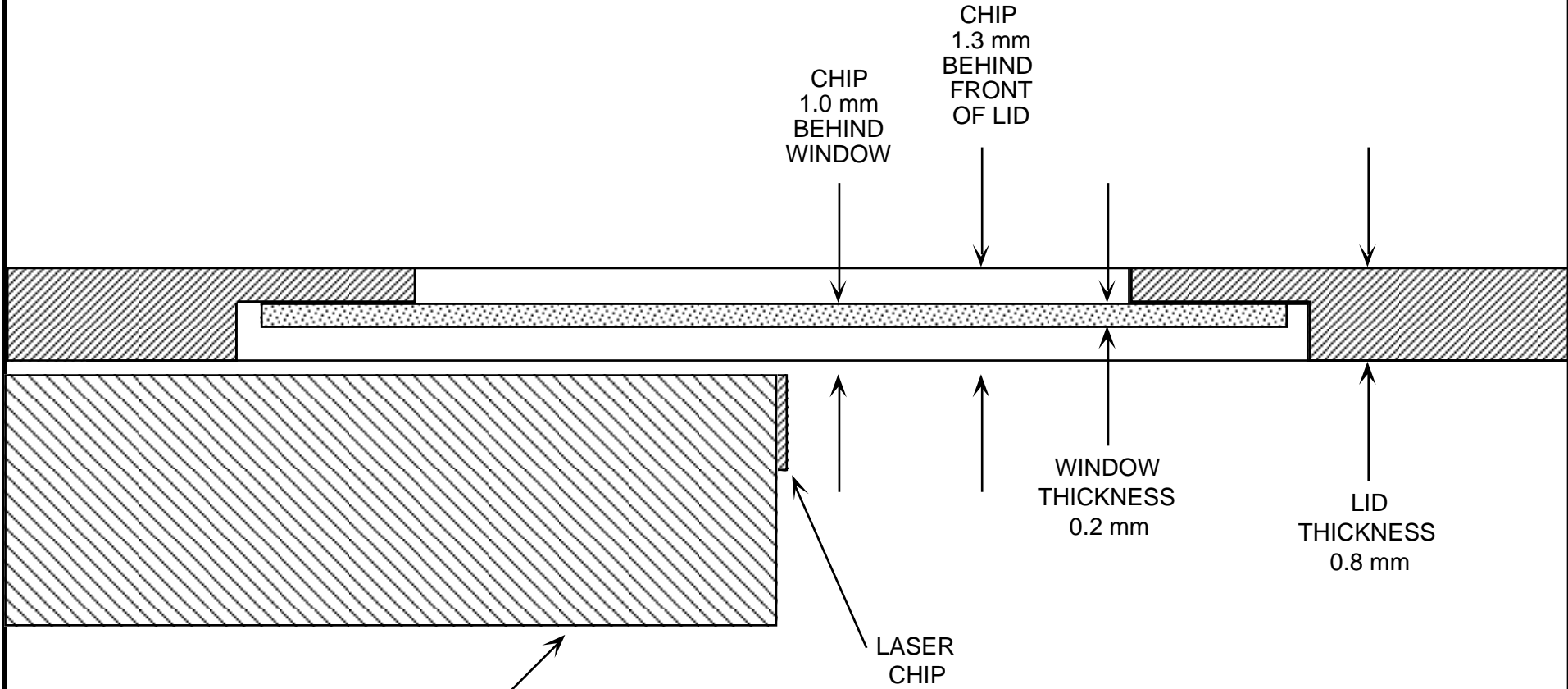


HHL PACKAGE- WINDOW SECTION DETAIL



HEATSINK

LASER
CHIP

CHIP
1.0 mm
BEHIND
WINDOW

CHIP
1.3 mm
BEHIND
FRONT
OF LID

WINDOW
THICKNESS
0.2 mm

LID
THICKNESS
0.8 mm